

## HC-B 24-TMQ-76/M1PG21S

Order No.: 1771820

<http://eshop.phoenixcontact.de/phoenix/treeViewClick.do?UID=1771820>

Sleeve housing, with double locking latch, height 76 mm, with screw connection, 1x Pg21, lateral cable entry

### Commercial data

EAN	4017918036522
Pack	10 Pcs.
Customs tariff	76169910
Weight/Piece	0.42292 KG
Catalog page information	Page 414 (PC-2007)

### Product notes

WEEE/RoHS-compliant since:  
03/01/2006



<http://www.download.phoenixcontact.com>  
Please note that the data given here has been taken from the online catalog. For comprehensive information and data, please refer to the user documentation. The General Terms and Conditions of Use apply to Internet downloads.

### Technical data

#### General data

Note	For contact inserts HC-B24, BB46, D64, DD108, M
Design	B24
Height	76 mm
Width	43 mm

Length	120 mm
Housing type	Sleeve housings
Locking type	With double locking latch
Type of the screw connection	1x Pg21
Pg screw connection	With
Wrench size, union nut	28 mm
Cable exit	Lateral
External cable diameter	10 mm ... 19 mm
Degree of protection	IP65
Ambient temperature (operation)	-40 °C ... 125 °C
Housing material	Aluminum, die-cast
Housing surface material	Powder-coated, gray
Screw connection material	Nickel-plated brass
Cable seal material	NBR
Locking latch material	High-grade steel, handle: PA-GF
Material grip body interlock	PA-GF

### Certificates / Approvals

#### Approval logo

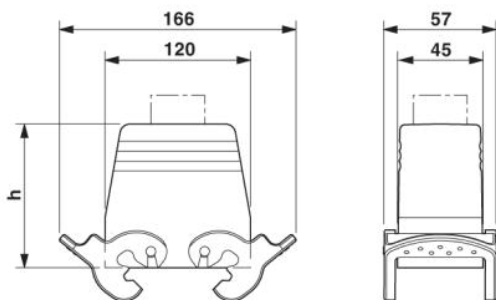


#### requested approbations

Certification	GOST
---------------	------

### Drawings

#### Dimensioned drawing



**Address**

PHOENIX CONTACT GmbH & Co. KG  
Flachsmarktstr. 8  
32825 Blomberg, Germany  
Phone +49 5235 3 00  
Fax +49 5235 3 41200  
<http://www.phoenixcontact.de>



© 2008 Phoenix Contact  
Technical modifications reserved;